

MIX6060 Infrared Dust Sensor

Version No.:1.3

Features:

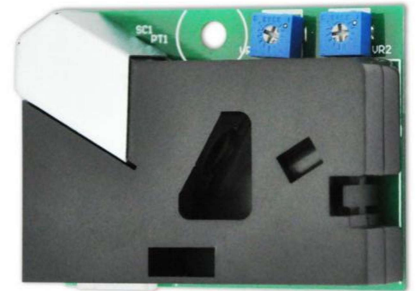
- * Small size
- * Light weight
- * Easy to install
- * Simple maintenance

Application:

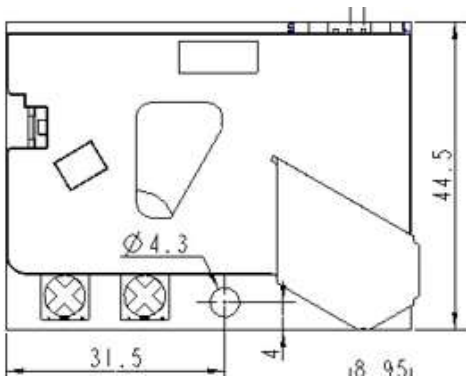
- * Air purifier
- * Automatic fans
- * HAVC refrigeration
- * Indoor air quality monitorin

MIX6060 is an infrared dust sensors. It detects dust particles in the air by means of infrared light scattering on dust particles to perform particle counting.

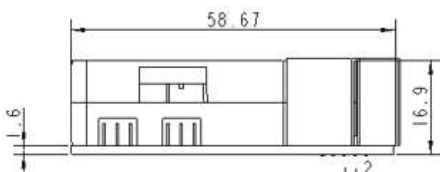
Each sensor has a 3 types of interfaces, they are UART, DAC, PWM. It can be calibrated separately and convenient to interface with the users' products, can be widely used in HAVC, indoor air quality monitoring.



Dimensions:



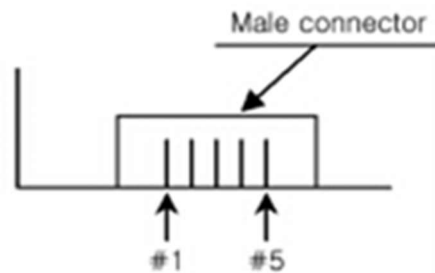
Top View



Side View

Unit: mm

Pin Connections:



No.	Pin Name	Function
1	CTR	Control site
2	RXD	UART(RXD) input
3	VCC	Input voltage
4	TXD	UART(TXD)output
5	GND	Common ground

Specification:

Item	Specification
Operating Voltage	4.5~5.5V DC
Operating Current	< 90mA average
Preheating Time	≤ 5 minutes
Detection Interval	< 2 seconds
Communication interface	UART level 3.3V
Minimum particle detection	1 μ m
Operating Conditions	0~50°C/0~90%RH(no condensation)
Storage Conditions	-20~60°C/0~95%RH(no condensation)
Size	59×45×20 (mm)
Life Expectancy	>5 years

Cautions:

- * The sensor is an electrostatic sensitive component. ESD protection is recommended during assembly and application of this product.
- * The sensor must be mounted vertically
- * Keep away from artificial airflow such as fans. When used in air fresheners, cannot be installed the front and rear of the fan.
- * Avoid installing sticky particles such as oil into the sensor during installation. When such particles stick to the optical components, a failure will occur.
- * Keep the sensor away from heat and avoid direct sunlight or other heat radiation.
- * Keep the sensor away from the humid environment, otherwise the function will be affected.
- * The lens needs to be cleaned according to the timing of the use environment, about once every six months. Wipe clean with a cotton swab and wipe with water. Do not wipe the lens with an organic solvent such as alcohol.

Shenzhen Mixsen Electronics Co., Ltd
 Add.: 4K-2, No. 12 Building, Wangtang industrial area, Xilixinwei village, Nanshan district, Shenzhen, China
 Post: 518000
 Tel: 86-755-86635585
 Mail: sales@mixsen.com
 Website: <http://www.mixsensensors.com/>

